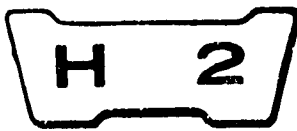
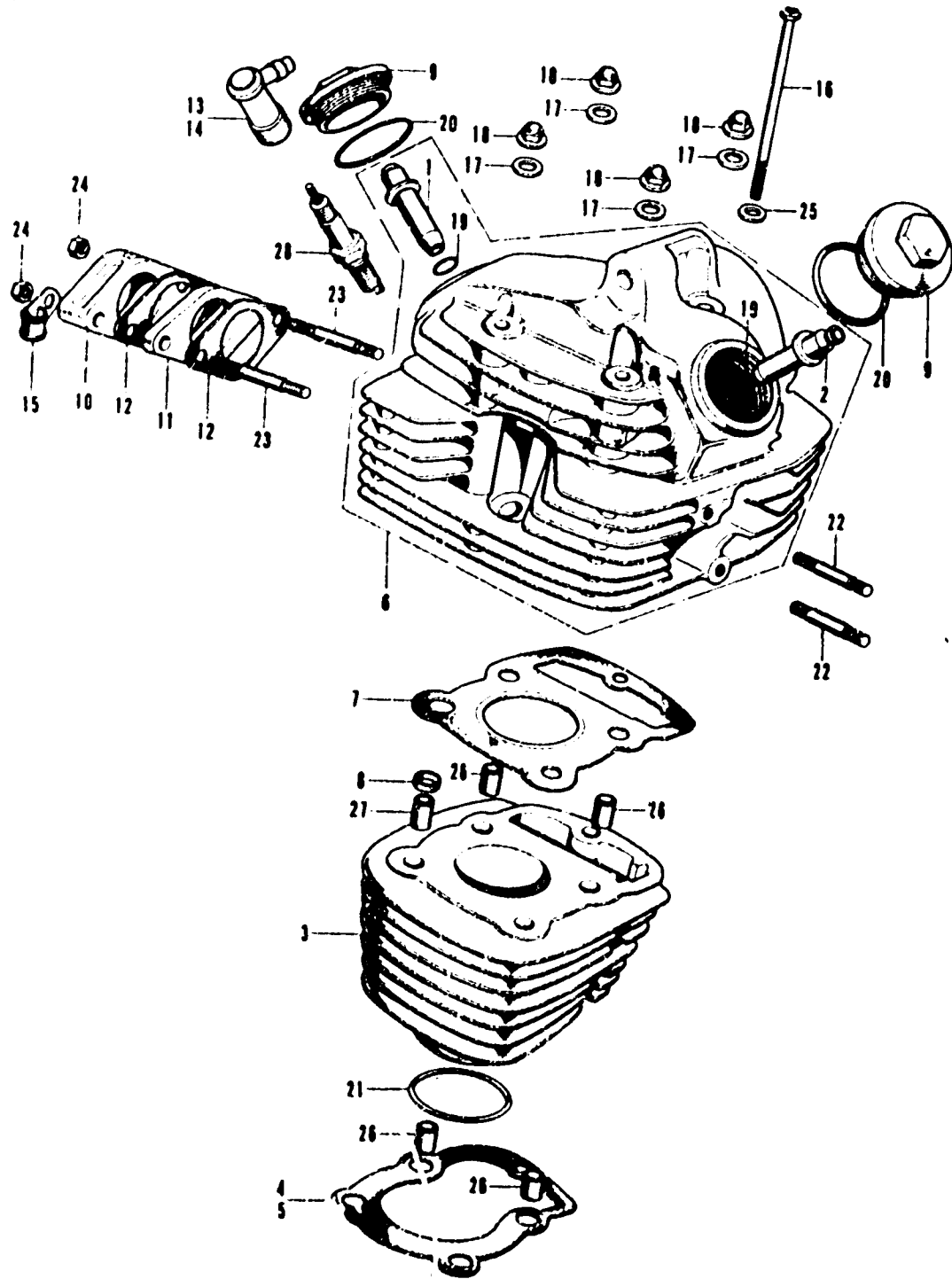


E-1 Cylinder • Cylinder Head • Sparking Plug



E-1 Cylinder • Cylinder Head • Sparking Plug



Ref. No.	Part No.	Description	Reqd. No.		Serial No.	Area Code
			SL125 K1	K2		
1	12021-107-310	GUIDE, IN. VALVE	1	1		
2	12023-324-300	GUIDE, EX. VALVE	1	1	1131075 1216579	A,D,F,G
	12023-324-310	GUIDE, EX. VALVE	1	1	1131076 1216580	D,F,G F
3	12100-324-010	CYLINDER COMP.	1	1		
4	12191-324-000	GASKET, CYLINDER	1	1		A,E,F,G
5	12191-330-305	GASKET, CYLINDER	1			D
6	12200-331-770	HEAD COMP., CYLINDER	1	1	1131075 1216579	A,D,F,G
	12200-324-010	HEAD COMP., CYLINDER	1	1	1131076 1216580	D,F,G F
7	12251-331-770	GASKET, CYLINDER HEAD	1	1		
8	12261-028-000	GASKET, CYLINDER STUD	1	1		
9	12361-107-000	CAP, TAPPET ADJUSTING HOLF	2	2		
10	16212-107-000	FLANGE, CARBURETOR	1	1		
11	16213-107-000	INSULATOR, CARBURETOR	1	1		
12	16229-107-000	GASKET, CARBURETOR INSULATOR	2	2		
13	30700-242-610	CAP ASSY., NOISE SUPPRESSOR	1			E,F,G
14	30700-259-810	CAP ASSY., NOISE SUPPRESSOR	1	1		A,D
15	32906-107-000	CLIP, HIGH TENSION CORD	1	1		
16	90091-107-000	BOLT, HS. 6MM	1	1		
17	90442-028-000	WASHER, SEALING, 8MM	4	4		
18	90443-107-000	NUT, HEX., CAP, 8MM	4	4		
19	91301-200-000	O-RING, 10X1.6	2	2		
20	91303-107-000	O-RING, 35X3	2	2		
21	91304-286-000	O-RING, 61.8X2.0	1	1		
22	92700-06045-35	BOLT, STUD, 6X45	2	2		
23	92700-06055	BOLT, STUD, 6X55	2	2		
24	94001-06000	NUT, HEX., 6MM	2	2		
25	94101-06000	WASHER, PLAIN, 6MM	1	1		
26	94301-10140	PIN A, DOWEL, 10X14	4	4		
27	94301-10200	PIN A, DOWEL, 10X20	1	1		
28	98069-38710	PLUG, SPARK (D-BES-L NGK)	1			D
	98069-58711	PLUG, SPARK (D-BES NGK)	1	1		A,E,F,G
	98069-58721	PLUG, SPARK (X-24ES NG)		1		
	98069-58713	PLUG, SPARK (D-BES NGK) 98069-58711	1			A,F,G
	98069-58721	PLUG, SPARK (X-24ES NG)	1			

B110-1