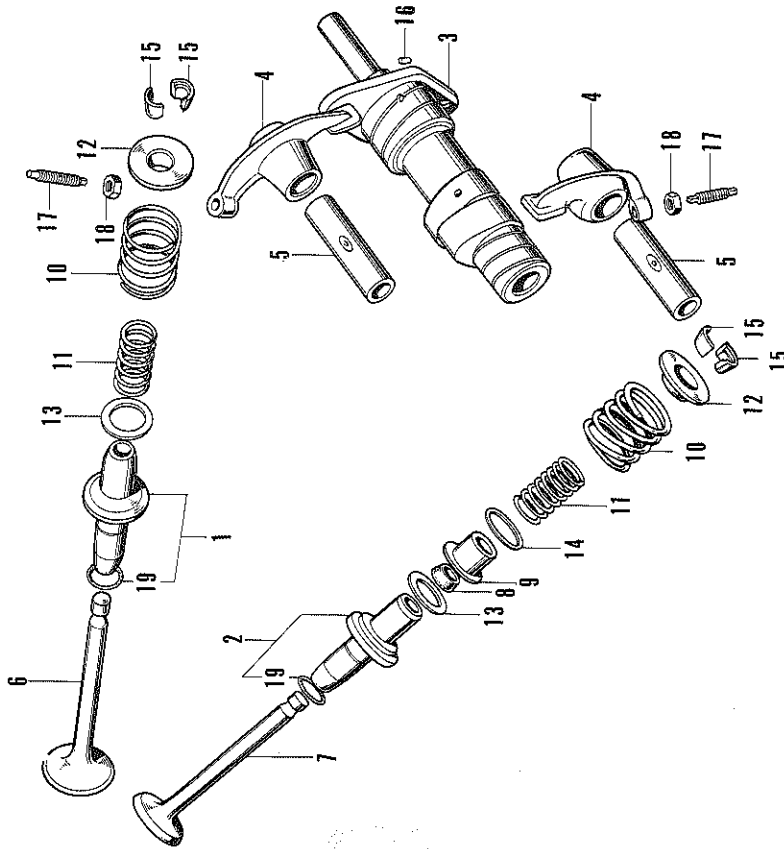


E-3 CAMSHAFT VALVE



E-3 CAMSHAFT VALVE

Ref. No.	Part No.	Description	Reqd. No.	
			ATC	No. Used on
			90	From To
1	12021-028-340	GUIDE, inlet valve	1	
2	12023-028-330	GUIDE, exhaust valve	1	
3	14101-918-000	CAMSHAFT	1	
4	14431-028-010	ARM, valve rocker	2	
5	14451-028-010	SHAFT, rocker arm	2	
6	14711-028-000	VALVE, inlet	1	
7	14721-028-602	VALVE, exhaust	1	
8	14730-028-000	SEAL, valve stem	1	
9	14731-028-000	CAP, valve stem seal	1	
10	14751-028-010	SPRING, outer valve	2	
11	14761-028-020	SPRING, inner valve	2	
12	14771-030-000	RETAINER, valve spring	2	
13	14775-028-010	SEAT, valve spring	2	
14	14776-028-000	SEAT, inner valve spring	1	
15	14781-001-010	COTTER, valve	4	
16	30905-216-000	PIN, knock, 3x5.2	1	
17	90012-200-000	SCREW, tappet adjusting	2	
18	90206-001-000	NUT, tappet adjusting	2	
19	91306-028-000	O RING, 9.5x1.6	2	