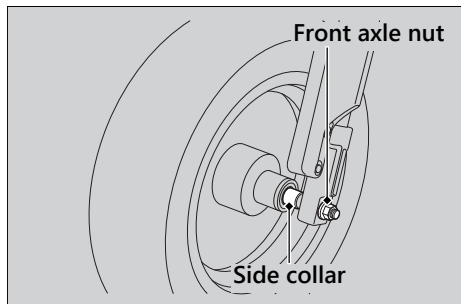


Front Wheel

Removal

1. Place your vehicle on a firm, level surface.
2. Support your vehicle securely and raise the front wheel off the ground using a maintenance stand or a hoist.
3. Remove the front axle nut.



4. Remove the front axle shaft, front wheel and side collars.
 - Avoid getting grease, oil, or dirt on the disc or pad surfaces.
 - Do not pull the brake lever while the front wheel is removed.

