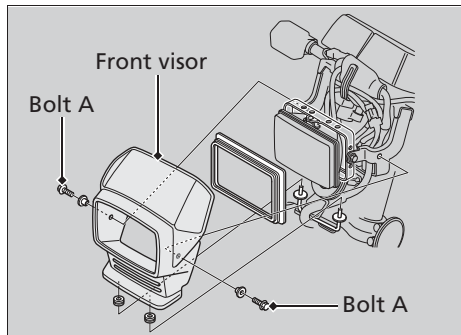
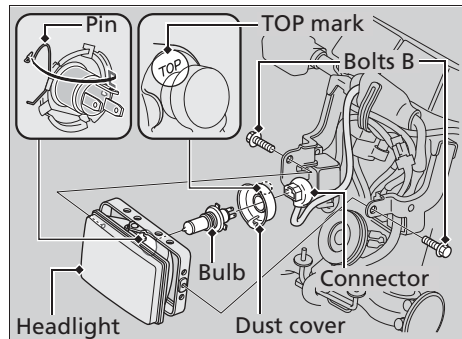


Headlight Bulb



1. Remove the front visor by removing the bolts A.
2. Remove the headlight by removing the bolts B.
3. Pull off the connector without turning.
4. Remove the dust cover.
5. Unhook the pin and remove the bulb.



6. Install a new bulb and parts in the reverse order of removal.
 - u Install the dust cover with its TOP mark facing up.

Do not touch the glass surface with your fingers. If you touch the bulb with your bare hands, clean it with a cloth moistened with alcohol.