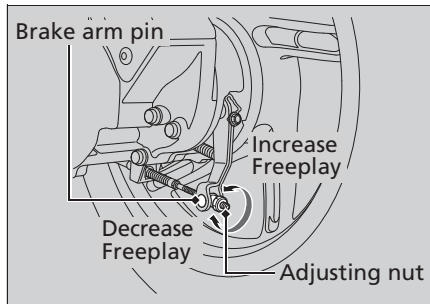
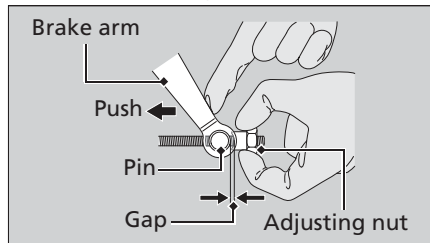


1. Adjust by turning the rear brake adjusting nut a half-turn at a time.



2. Apply the brake several times and check for free wheel rotation after the brake lever is released.

3. Push the brake arm to confirm that there is a gap between the rear brake adjusting nut and brake arm pin.



After adjustment, confirm the freeplay of the brake lever.

Make sure the brake rod, brake arm, spring and fastener are good condition.

#### NOTICE

Do not turn the adjuster beyond its natural limits.