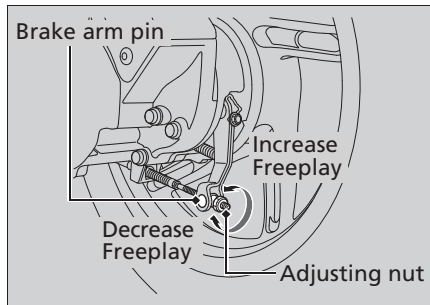
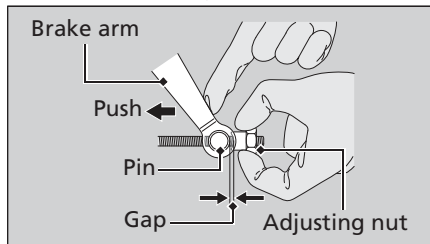


1. Adjust by turning the rear brake adjusting nut a half-turn at a time.



2. Apply the brake several times and check for free wheel rotation after the brake lever is released.

3. Push the brake arm to confirm that there is a gap between the rear brake adjusting nut and brake arm pin.



After adjustment, confirm the freeplay of the brake lever.

**NOTICE**

Do not turn the adjuster beyond its natural limits.