
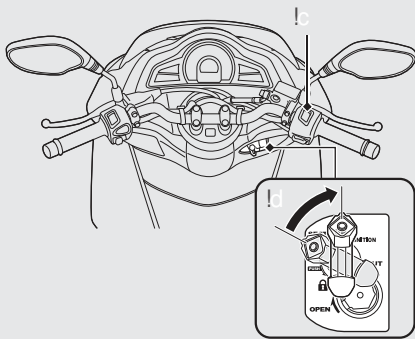


!b Make sure the engine stop switch is in the  (Run) position.

!d Turn the ignition switch to the ON position.



!e Press the start button with the throttle completely closed. Release the start button as soon as the engine starts.

