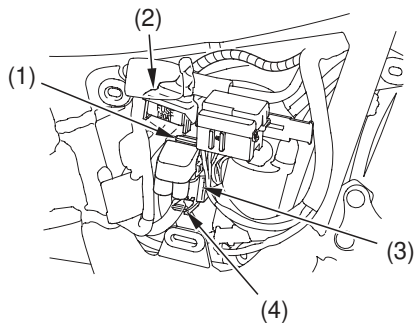


## If a Fuse Blows

### *Main Fuse Access:*

2. To access the main fuse ( 1 ), remove the right side cover ( page 75 ).

### RIGHT SIDE



- (1) main fuse
- (2) wire connector
- (3) starter magnetic switch
- (4) spare main fuse

3. Disconnect the wire connector ( 2 ) of the starter magnetic switch ( 3 ).
4. Pull the main fuse out. If it is blown ( 6 ), install the spare main fuse ( 4 ).
5. Reconnect the wire connector.

### *Circuit Fuse and FI Fuse Access:*

6. Open the fuse box cover ( 5 ).
7. To check or replace a circuit fuse, pull the old fuse out of its retaining clips. Look for a burned wire inside the fuse. If the fuse is blown ( 6 ), replace it with a spare fuse ( 7 ) of the same rating.

(cont'd)