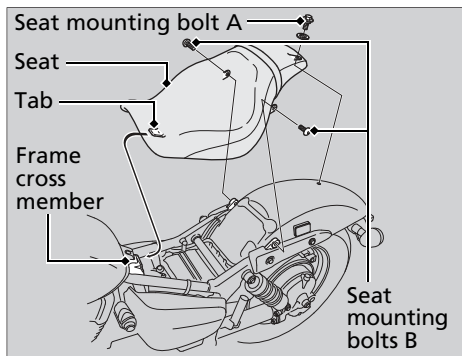


Seat



Removal

1. Remove the mounting bolt A and bolts B.
2. Pull the seat back and up.

Installation

1. Insert the tab into the frame cross member.
2. Tighten the seat mounting bolts securely.