

If a Fuse Blows

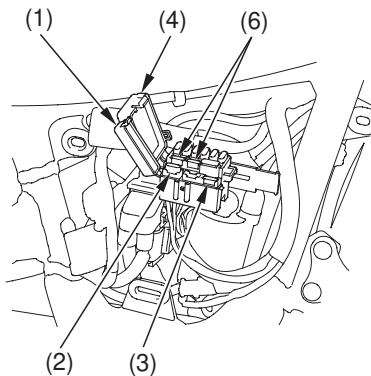
FI Fuse Access:

2. To access FI fuse, remove the right side cover (page 76) and open the FI fuse box cover (1).
3. Pull the FI fuse (2) out. If it is blown (5) (page 176), install the spare FI fuse (3).
4. Close the FI fuse box cover.
5. Install the right side cover.

Circuit Fuse Access:

2. To access the circuit fuses, remove the right side cover (page 76).
3. Open the fuse box cover (4).
4. To check or replace a circuit fuse, pull the old fuse out of its retaining clips. Look for a burned wire inside the fuse. If the fuse is blown (5) (page 176), replace it with a spare fuse (6) of the same rating.

RIGHT SIDE



- (1) FI fuse box cover (4) fuse box cover
(2) FI fuse (6) spare fuses
(3) spare FI fuse

(cont'd)