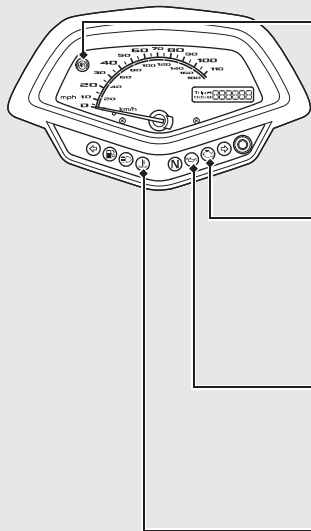




Indicators




 **ABS (Anti-lock Brake System) indicator (VT1300CXA)**

Comes on when the ignition switch is turned on.
Goes off when your speed reaches approximately 6 mph (10 km/h).

If it comes on while riding: ➔ P.82

 **PGM-FI (Programmed Fuel Injection) malfunction indicator lamp (MIL)**


Comes on briefly when the ignition switch is turned on with the engine stop switch in the  (Run) position.

If it comes on while engine is running: ➔ P.81

 **Low oil pressure indicator**

Comes on when the ignition switch is turned on.
Goes off when the engine starts.

If it comes on while engine is running: ➔ P.81

 **High coolant temperature indicator**

Comes on briefly when the ignition switch is turned on.

If it comes on while riding: ➔ P.80