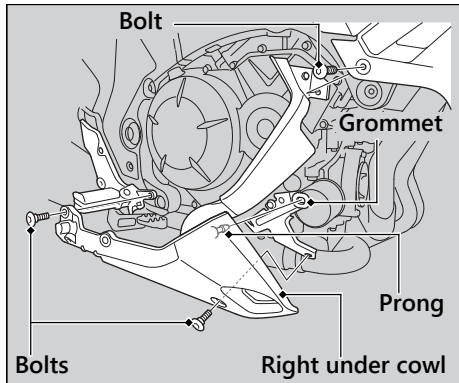
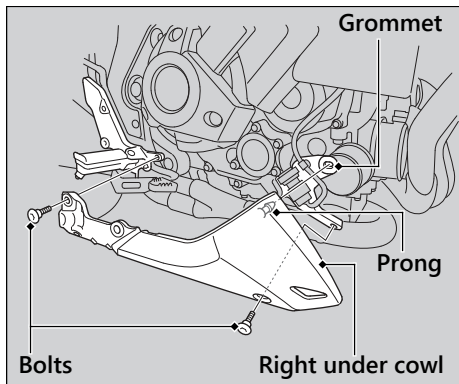


4. Remove the bolts.
5. Remove the prong from the grommet.
6. Remove the right under cowl.

VFR1200X/XA



VFR1200XD/XDA



Installation

Install the parts in the reverse order of removal.