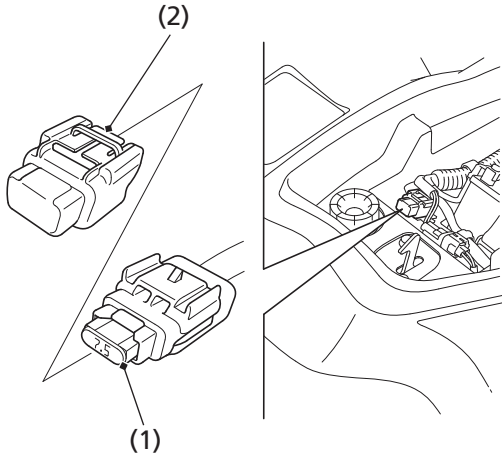


# If a Fuse Blows

---

## Main Fuse Access

### UNDER SEAT



(1) fuse

(2) fuse case cover

1. To prevent an accidental short circuit, turn the ignition switch to OFF (w) before checking or replacing the fuse.
2. To access the fuse (1) remove the seat (page 95).
3. Remove the fuse case cover (2).