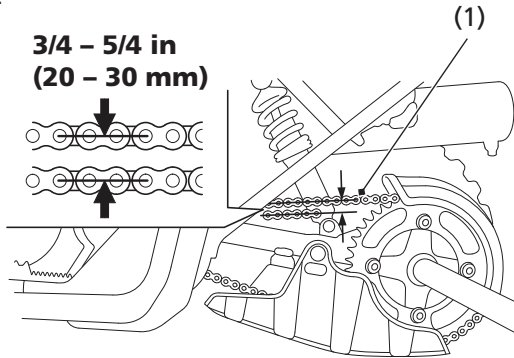


# Drive Chain

## Inspection

LEFT SIDE



(1) drive chain

1. Measure the amount of chain slack midway between the sprockets. Drive chain slack should allow the following vertical movement by hand:  
**3/4 – 5/4 in (20 – 30 mm)**
2. Check drive chain slack at several points along the chain. The slack should remain constant. If it isn't, some links may be kinked and binding. Lubricating the chain will often eliminate binding and kinking.

### NOTICE

*Excessive chain slack may allow the drive chain to damage the engine cases.*

(cont'd)