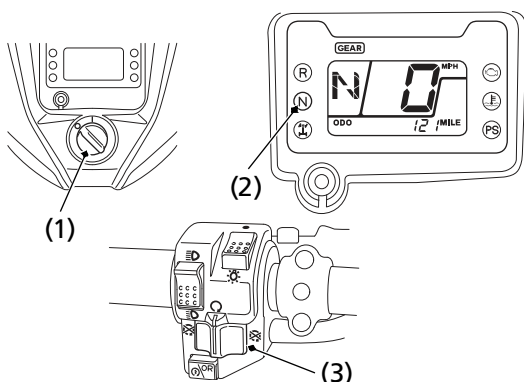


# Starting & Stopping the Engine

## Preparation



(1) ignition switch

(2) neutral indicator

(3) engine stop switch

1. Before starting, make sure the vehicle is on a level surface and lock the parking brake (page 45).
2. Turn the ignition switch (1) to ON (q).

Confirm the following:

- The transmission is in neutral, the neutral indicator (2) is ON and the gear position indicator shows "N".
- The engine stop switch (3) is set to RUN (e ).