

Controls & Features

Side Utility Box

The side utility box (1) is located on the left side of the front fender. You may store small, lightweight items in the box.

To open:

Pull up the front of the utility box cover (2).

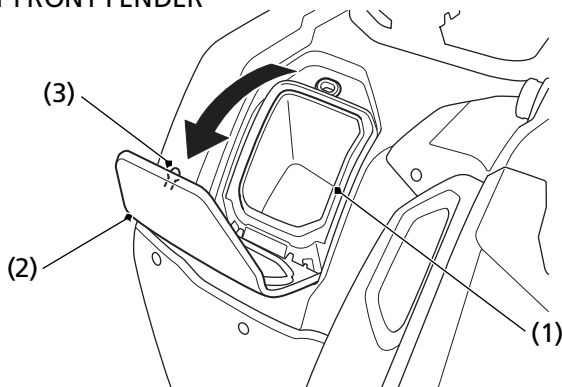
To close:

Push down the front of the utility box cover until it locks in place. Make sure that the stud (3) is locked securely in position by pulling up lightly on the front of the utility box cover.

Do not store valuable items in the side utility box.

Be careful not to flood this area when washing your ATV.

LEFT FRONT FENDER



(1) side utility box

(3) stud

(2) utility box cover