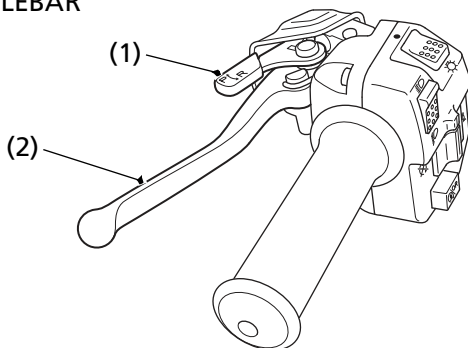


Controls & Features

Parking Brake/Reverse Lever (P/R Lever)

P↑
↓R

LEFT HANDLEBAR



(1) P/R lever

(2) rear brake lever/parking brake lever

The P/R lever (1) on the rear brake lever/parking brake lever (2) is used to apply the parking brake or to shift the transmission into reverse.

(cont'd)