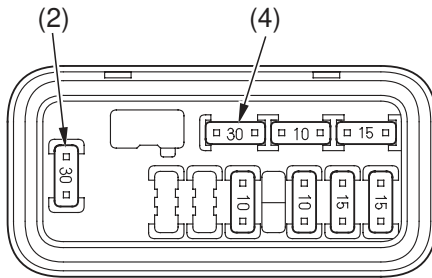
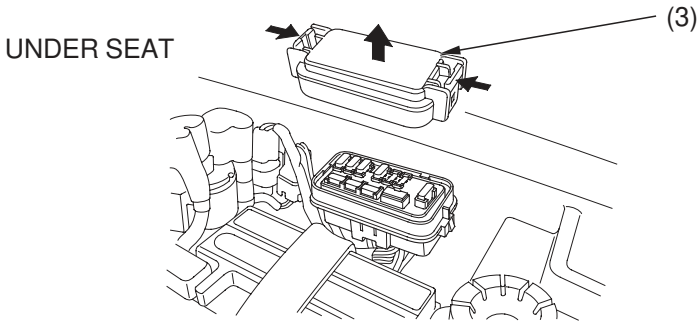


If a Fuse Blows

Main Fuse Access

1. To prevent an accidental short circuit, turn the ignition switch OFF (○) before checking or replacing the fuses.
2. Remove the seat (page 106).
3. To access the main fuse (2), remove the fuse box cover (3).



(2) main fuse

(4) spare main fuse

(3) fuse box cover

4. Pull the main fuse out.

If it is blown, install the spare main fuse (4).