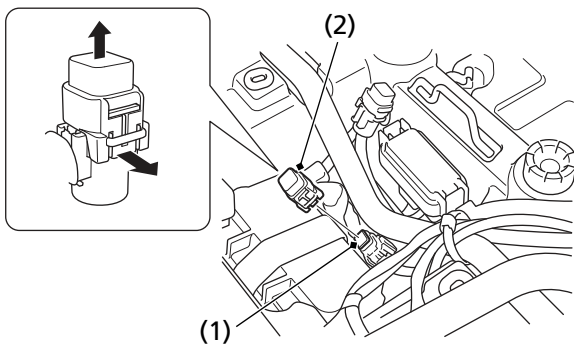


If a Fuse Blows

PS (Electric Power Steering) Fuse Access

1. Turn the ignition switch to OFF (O) before checking the fuse.
2. Remove the seat (page 120).
3. Remove the rear fender cover (page 121).
4. To access the PS fuse (1), remove the fuse cover (2).
If the PS fuse is blown, install the spare fuse (page 119).
5. Install the fuse cover.
6. Install the rear fender cover.
7. Install the seat.

UNDER REAR FENDER COVER



(1) PS fuse

(2) fuse cover