

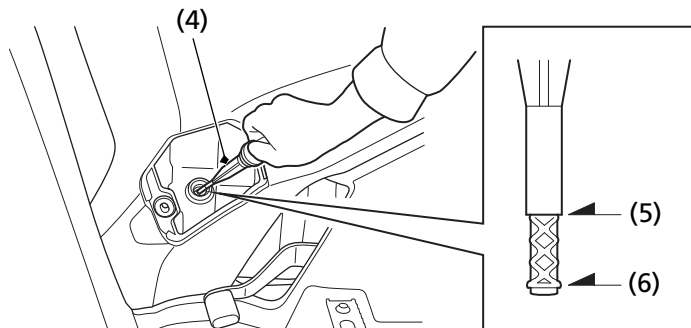
Engine Oil & Filter

5. Remove the oil fill cap/dipstick (4) from the front crankcase and wipe it clean.
6. Insert the oil fill cap/dipstick without screwing it in, then remove the oil fill cap/dipstick and check the oil level. The oil level should be between the upper level mark (5) and the lower level mark (6) on the oil fill cap/dipstick.
7. If the oil level is near or below the lower level mark, then add the specified oil into the fill cap hole, up to the upper level mark on the oil fill cap/dipstick. Do not overfill.
8. Reinstall the oil fill cap/dipstick.
9. Install the oil check/fill door.

NOTICE

Running the engine with an improper oil level can cause serious engine damage.

LEFT SIDE



(4) oil fill cap/dipstick

(5) upper level mark

(6) lower level mark