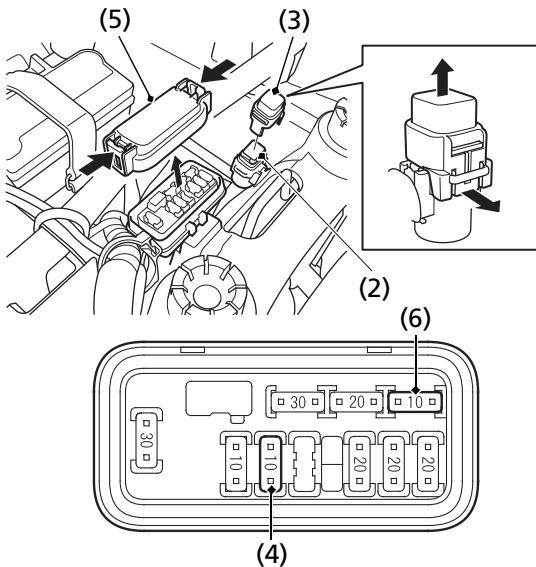


If a Fuse Blows

Main Fuses Access

1. To prevent an accidental short circuit, turn the ignition switch to OFF (O) before checking or replacing the fuses.
2. Remove the seat (page 124).
3. Remove the rear fender cover (page 125).
4. To access the main fuse 1 (2), remove the fuse cover (3).
5. To access the main fuse 2 (4), remove the fuse box cover (5).

UNDER REAR FENDER COVER



- (2) main fuse 1
- (3) fuse cover
- (4) main fuse 2

- (5) fuse box cover
- (6) spare fuse

6. Pull the main fuses out.
If the main fuse 1 is blown, see your dealer for this service.
If the main fuse 2 is blown, install the spare fuse (6).
7. Install the fuse cover.

(cont'd)