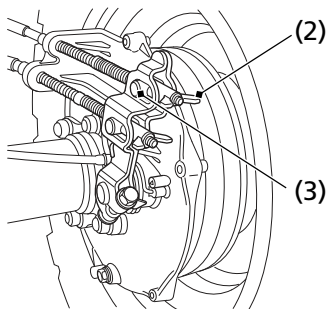


# Brakes

---

## Adjustment

### RIGHT REAR

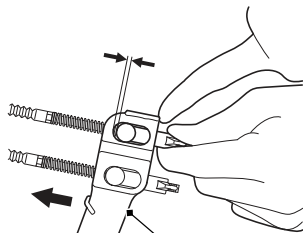


(2) brake lever adjusting nut

(3) brake arm pin

Adjust the freeplay of the rear brake lever/parking brake lever with the front wheels pointed straight ahead.

1. Turn the brake lever adjusting nut (2), located on the brake operating rod at the rear of the frame. Make sure the cutout on the adjusting nut is properly seated on the brake arm pin (3).
2. Adjust the freeplay of the rear brake lever/parking brake lever. Push the brake arm (4) then check the clearance between the brake arm and the brake arm pin.



(4) brake arm