

# Rear Final Gear Oil

---

- Remove the oil level check bolt (5) and sealing washer (6).
- Pour the drained oil into a suitable container and dispose of it in an approved manner (page 212).

## NOTICE

*Improper disposal of drained fluids is harmful to the environment.*

- Slowly fill the rear final gear case with the recommended oil until oil starts to flow out of the oil level check hole (7). Allow oil to settle for 2 – 3 minutes before moving to next step to prevent overfilling.

**2.9 US oz (85 cm<sup>3</sup>)**

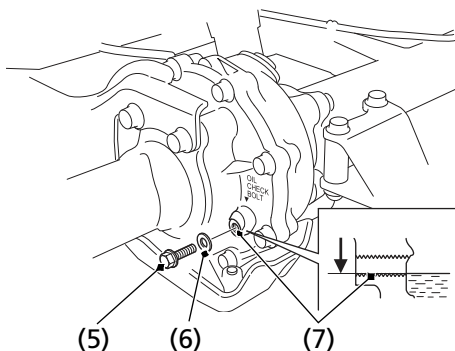
- Coat a new O-ring with grease and install it into the fill cap groove and tighten it to the specified torque:

**9 lbf·ft (12 N·m, 1.2 kgf·m)**

- Install the oil level check bolt with a new sealing washer and tighten it to the specified torque:

**9 lbf·ft (12 N·m, 1.2 kgf·m)**

## REAR



(5) oil level check bolt

(7) oil level check hole

(6) sealing washer