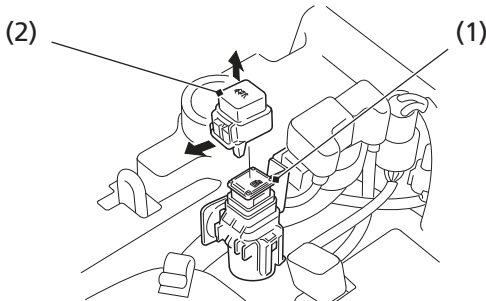


If a Fuse Blows

PS (Electric Power Steering) Fuse Access (TRX500FPA only)

1. Turn the ignition switch OFF (w) before checking the fuse.
2. Remove the seat ([page 116](#)).
3. To access the PS fuse (1), remove the PS fuse box cover (2).
If the PS fuse is blown, see your dealer for this service.
4. Install the PS fuse box cover.
5. Install the seat.

UNDER SEAT



(1) PS fuse

(2) PS fuse box cover