

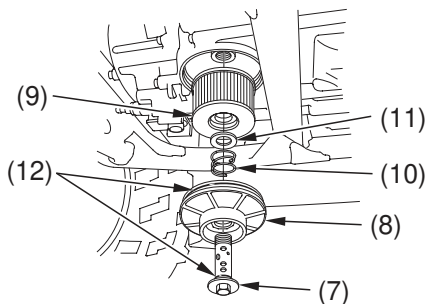
Engine Oil & Filter

- Remove the oil filter bolt (7) and oil filter cover (8).
Let the remaining oil drain out.
- Remove the oil filter (9) from the cover.
- Remove the spring (10) and washer (11). Do not discard the washer with the old oil filter.
- Discard the oil filter in an approved manner (page 230).
- Check the O-rings (12) are in good condition and then insert a new oil filter to the oil filter cover.
Use only the Honda Genuine oil filter or a filter of equivalent quality specified for your model. Using the wrong Honda filter or a non-Honda filter which is not of equivalent quality may cause engine damage.
- Install the oil filter cover and tighten the oil filter bolt. Make sure the oil filter bolt is tightened securely to the specified torque.
Oil filter bolt torque:
13 lbf-ft (18 N·m , 1.8 kgf·m)

NOTICE

Improper installation of the oil filter can cause serious engine damage.

UNDER ENGINE



(7) oil filter bolt

(9) oil filter

(11) washer

(8) oil filter cover

(10) spring

(12) O-rings

(cont'd)