

# Controls & Features

---

## 2WD/4WD Select Switch

Your ATV is equipped with a 2WD/4WD select switch (1), which permits a choice between the “2WD” and “4WD” drive modes. Select a drive mode that’s suitable for your riding.

The 2WD/4WD select switch is located above the throttle lever. To select the drive mode, slide the 2WD/4WD select switch to the desired position.

To check your present drive mode, look at the 4WD indicator (2).

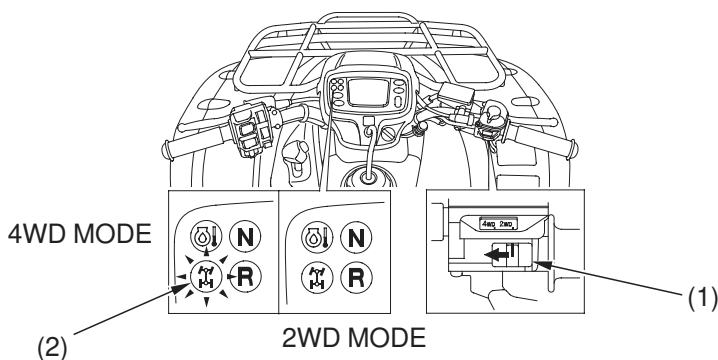
2WD mode: the 4WD indicator goes off.

4WD mode: the 4WD indicator goes on.

4WD can only be engaged while the engine is running.

It remains engaged until the 2WD mode is selected or the engine is stopped.

Upon starting, your ATV will be in the 2WD mode, regardless of the 2WD/4WD select switch position.



(2)

(1) 2WD/4WD select switch

(2) 4WD indicator