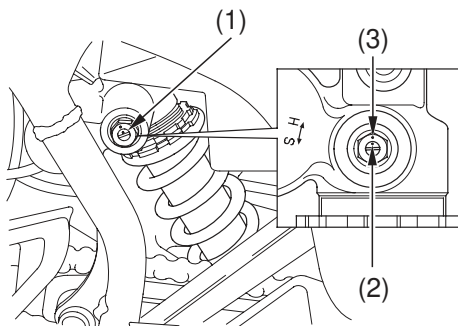


# Suspension

---

## Compression Damping

### LEFT SIDE



- (1) compression damping adjuster    (3) reference punch mark  
(2) punch mark

#### *To adjust to the standard position:*

1. Turn the compression damping adjuster (1) clockwise until it will no longer turn (lightly seats). This is the full hard setting.
2. Turn the adjuster counterclockwise 26 clicks so that the punch mark (2) on the adjuster aligns with the reference punch mark (3). This is the standard position.

#### *To Reduce Compression Damping (SOFT):*

For a light load and smooth road conditions, turn the adjuster counterclockwise toward SOFT (S).

#### *To Increase Compression Damping (HARD):*

For a firmer ride and rough road conditions, turn the adjuster clockwise toward HARD (H).