

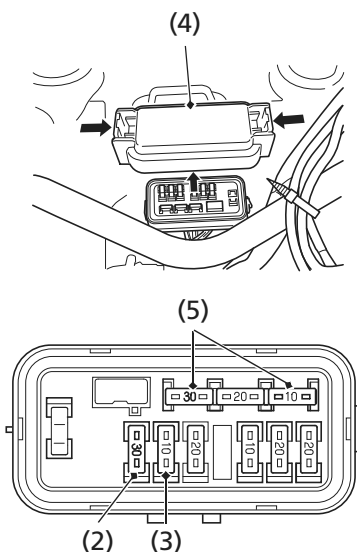
# If a Fuse Blows

---

## Main Fuses Access

1. To prevent an accidental short circuit, turn the ignition switch to OFF (O) before checking or replacing the fuses.
2. Remove the seat ([page 114](#)).
3. Remove the rear fender cover ([page 117](#)).
4. To access the main fuse (2) (3), remove the fuse box cover (4).

### UNDER REAR FENDER COVER



(2) main fuse 1

(3) main fuse 2

(4) fuse box cover

(5) spare fuses

5. Pull the main fuse out.  
If it is blown, install the spare fuses (5).