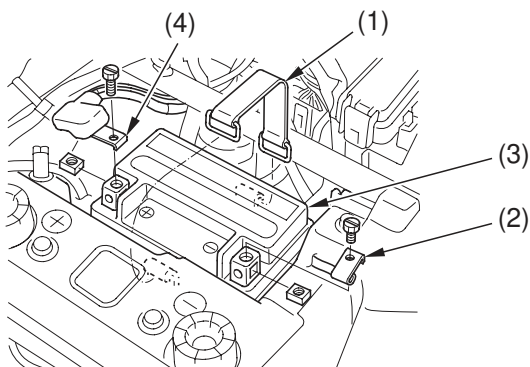


# Battery

---

The battery is located in a compartment under the rear fender cover.

## UNDER REAR FENDER COVER



- (1) rubber band                      (3) battery  
(2) negative ( - ) terminal lead    (4) positive ( + ) terminal lead

### Removal

1. Make sure the ignition switch is OFF ( O ).
2. Remove the seat (page 106).
3. Remove the rear fender cover (page 125 ).
4. Release the rings and remove the rubber band ( 1 ).
5. Disconnect the negative ( - ) terminal lead ( 2 ) from the battery ( 3 ) first, then disconnect the positive ( + ) terminal lead ( 4 ).