

# Tool Kit

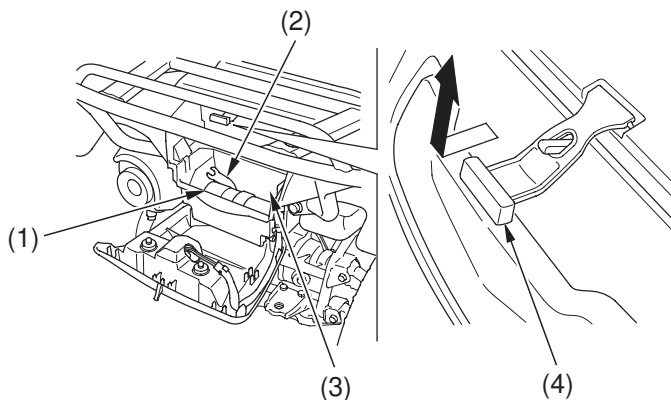
---

The tool kit (1) and the gear change tool (2) are stored in the storage compartment (3) below the rear cargo rack.

To open the compartment, unhook the rubber strap (4).

An optional, larger tool kit may be available. Check with your dealer's parts department.

## REAR



(1) tool kit  
(2) gear change tool

(3) storage compartment  
(4) rubber strap