

# Controls & Features

---

## 2WD/4WD Select Lever

Your ATV is equipped with a 2WD/4WD select lever (1), which permits a choice between the “2WD” and “4WD” drive modes. Select a drive mode that’s suitable for your riding.

Keep both hands on the handlebar while machine is in motion and come to a complete stop before using the 2WD/4WD select lever.

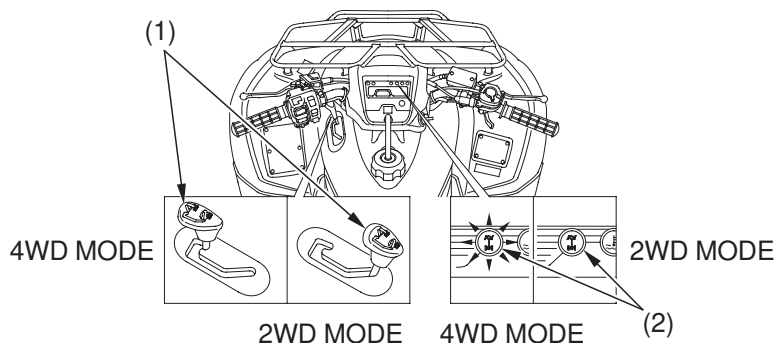
The 2WD/4WD select lever is located on the left side of the fuel tank. To select the drive mode, shift the 2WD/4WD select lever to the desired position.

After using the 2WD/4WD select lever, the mode may not mechanically engage until forward motion begins.

To check your present drive mode, look at the 4WD indicator (2).

2WD mode : the 4WD indicator goes off when the 2WD mode engages.

4WD mode : the 4WD indicator goes on when the 4WD mode engages.



(1) 2WD/4WD select lever

(2) 4WD indicator