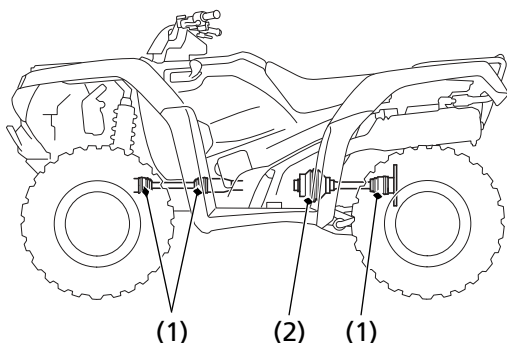


# Drivetrain Boots

---

## Propeller Shaft Boots & Yoke Joint Boot

Refer to *Safety Precautions* on page 107.



(1) propeller shaft boots

(2) yoke joint boot

Check the propeller shaft boots (1) and yoke joint boot (2) for damage or leaking grease. If necessary, have your dealer replace them.