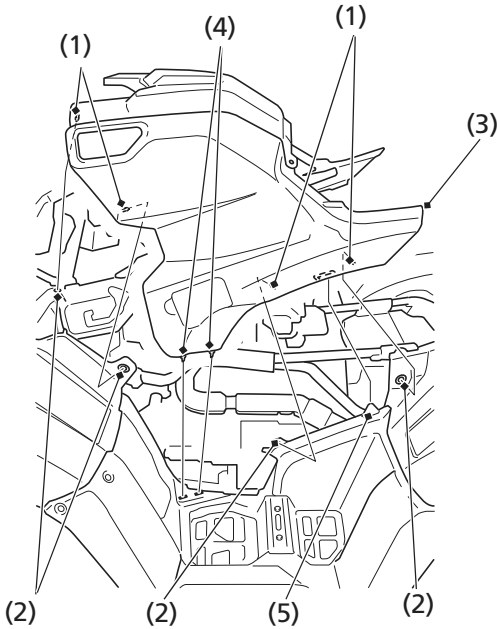


# Tank Cover Assembly Removal

---

LEFT SIDE



- (1) prongs
- (2) grommets
- (3) tank cover assembly
- (4) tabs A
- (5) tabs B

## Installation

Install the parts in the reverse order of removal.

Make sure that all prongs and tabs are installed securely in position.