

Engine Oil & Filter

Install a New Engine Oil Filter:

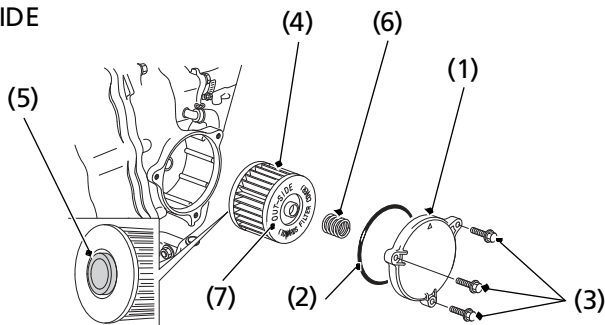
Place shop towels under the oil filter cover because oil will flow out.

1. Remove the oil filter cover (1) and O-ring (2) by removing the bolts (3). Let the remaining oil drain out. Discard the oil filter (4) in an approved manner (page 204).
2. Apply engine oil to a new O-ring and install it to the oil filter cover. Then install a new oil filter. Use only the Honda Genuine oil filter or a filter of equivalent quality specified for your model. Using the wrong Honda filter or a non-Honda filter which is not of equivalent quality may cause engine damage.
3. Install a new filter with the rubber seal (5) facing inward, toward the engine. Make sure the spring (6) and the OUT SIDE mark (7) faces away from the engine, toward the oil filter cover.

NOTICE

Improper installation of the oil filter can cause serious engine damage.

RIGHT SIDE



(1) oil filter cover

(2) O-ring

(3) bolts

(4) oil filter

(5) rubber seal

(6) spring

(7) OUTSIDE mark