

Controls & Features

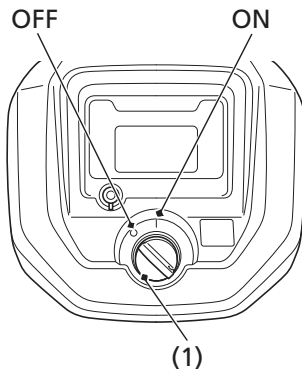
Ignition Switch

The ignition switch (1) is used for starting and stopping the engine ([page 72](#)). Insert the key and turn it to the right for the ON (I) position.

The ignition switch is also used to reset the maintenance tripmeter and the maintenance hourmeter ([page 33](#)).

Key Position	Function
ON (I)	Electrical circuits on.
OFF (O)	No electrical circuits function.

CENTER OF HANDLEBAR



(1) ignition switch

I ON
O OFF