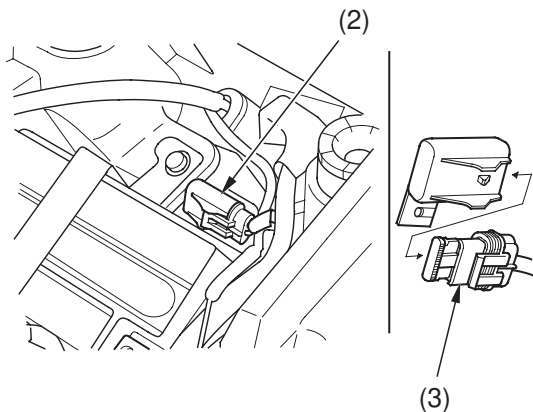


# If a Fuse Blows

---

## Main Fuse Access

### UNDER SEAT



(2) fuse holder assembly

(3) fuse holder

1. To prevent an accidental short circuit, turn the ignition switch OFF (  $\circ$  ) before checking or replacing the fuse.
2. To access the fuse, remove the seat (page 86).
3. Remove the fuse holder assembly (2).
4. Pull the old fuse out of the fuse holder (3).  
If it is blown, install the spare main fuse.

If you do not have a replacement fuse with the proper rating for the circuit, install one with a lower rating.

#### NOTICE

*Replacing a fuse with one that has a higher rating greatly increases the chance of damage to the electrical system.*

5. Install the fuse holder assembly and seat.