

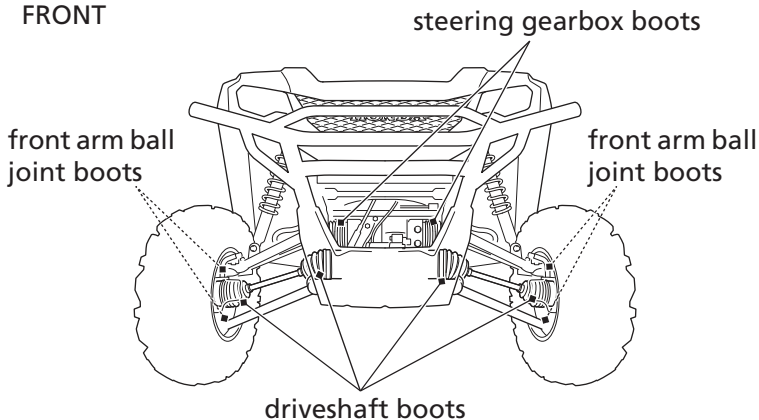
# Driveshaft Boots

---

Refer to *Safety Precautions* on page 105.

Check the rubber boots for tears or traces of splattered grease. If necessary, have your dealer replace them.

**FRONT**



**REAR**

