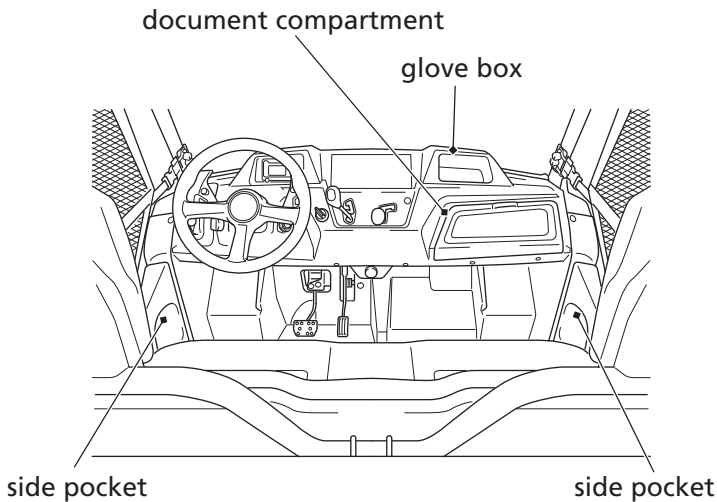


Storage Compartments

Your Honda SXS has a document compartment, glove box and two side pockets where you can carry small, lightweight items.



To open the document compartment, pull the cover forward. Close the cover securely before driving.

document compartment document compartment cover

