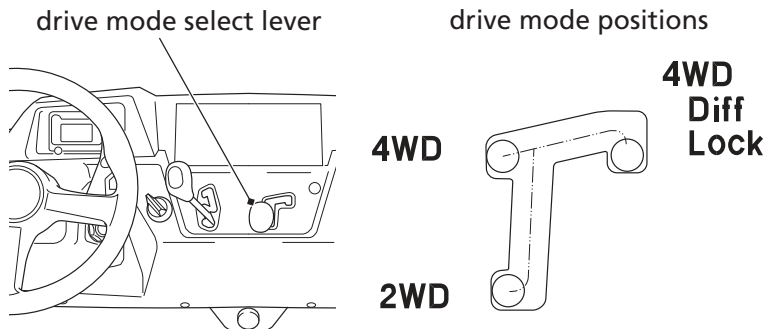


Driver Controls

Drive Mode Select Lever

The drive mode select lever, located to the right of the shift select lever, has three drive mode positions: 2WD, 4WD and 4WD diff lock.



To check your present drive mode, look at the 4WD indicator and differential lock indicator.

2WD mode:

Both indicators will be off when the 2WD mode engages.

4WD mode:

The 4WD indicator will be on when the 4WD mode engages.

4WD Diff Lock mode:

The 4WD indicator and differential lock indicator will be on when the 4WD diff lock mode engages.