

Vehicle Identification

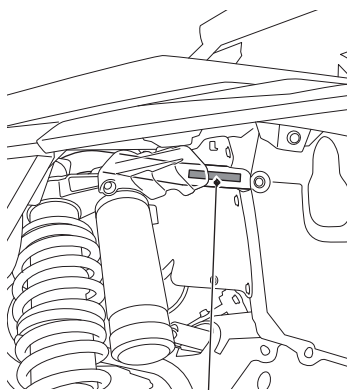
Serial Numbers

The VIN and engine serial number may be required when ordering replacement parts. You may record these numbers in the Quick Reference section at the rear of this manual.

The VIN is stamped on the left side of the frame, located under the left front fender.

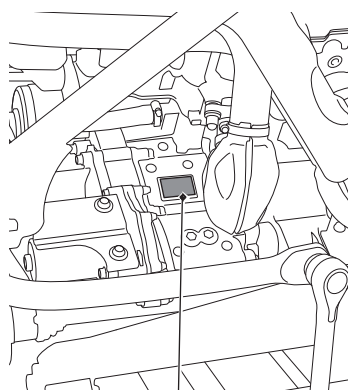
The engine number is stamped on the upper side of the rear crankcase.

UNDER LEFT FRONT FENDER



VIN

UNDER RIGHT REAR FENDER



engine number