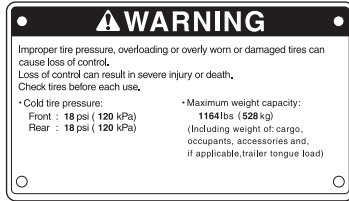
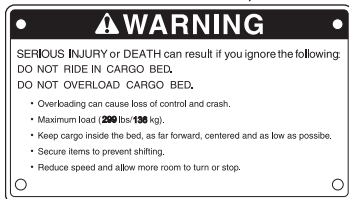
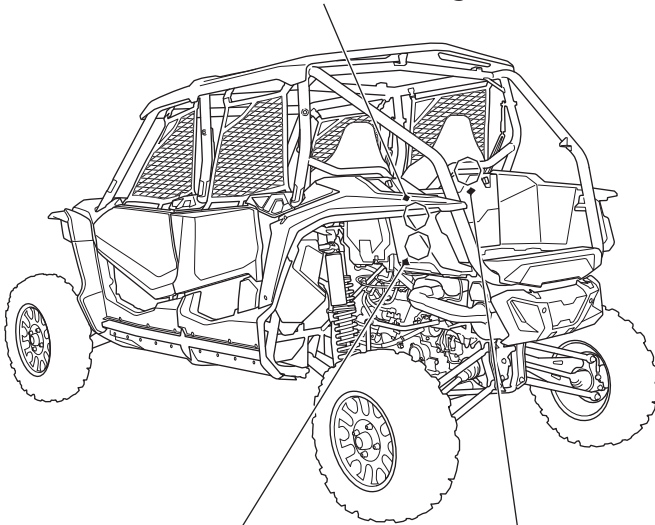


# Safety Labels



tire & overload warning



loading warning

The ROPS meets the requirements of 29 CFR Part 1928.53 (OSHA)

Model: Honda SXS1000S4/S4D

Test GVWR: 2959 lbs (1342 kg)

Honda of South Carolina Manufacturing, Inc.  
1111 Honda Way, Timmonsville, SC

OSHA