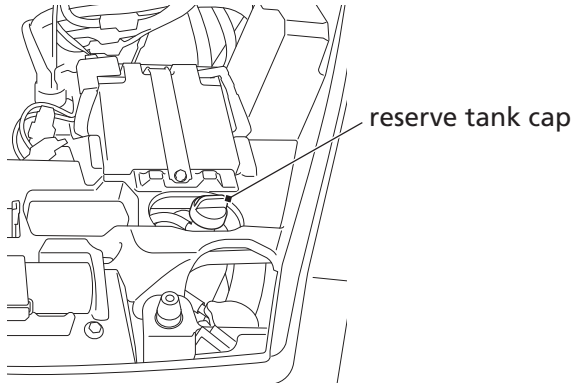


Coolant

3. Remove the front hood (page 137).
4. Remove the reserve tank cap.
Always add coolant to the reserve tank. Do not attempt to add coolant by removing the radiator cap.

UNDER FRONT HOOD

LEFT FRONT



5. Add coolant to the reserve tank as required to bring the coolant level to the MAX level mark.
6. After adding coolant, install the reserve tank cap and install the front hood.