

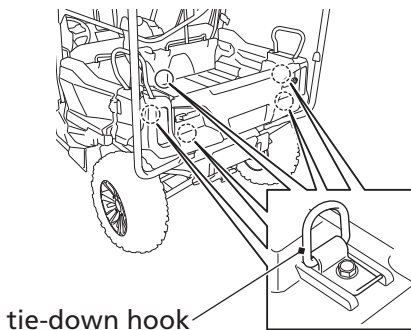
# Cargo Bed Controls

---

## Tie-Down Hooks

The cargo bed has tie-down hooks for securing items in the bed. Before using the tie-down hooks, select a firm level surface and move the shift select lever into the park (P) position.

### SXS1000M5P/M5D/M5L



### SXS1000M3/M3P/M3L

