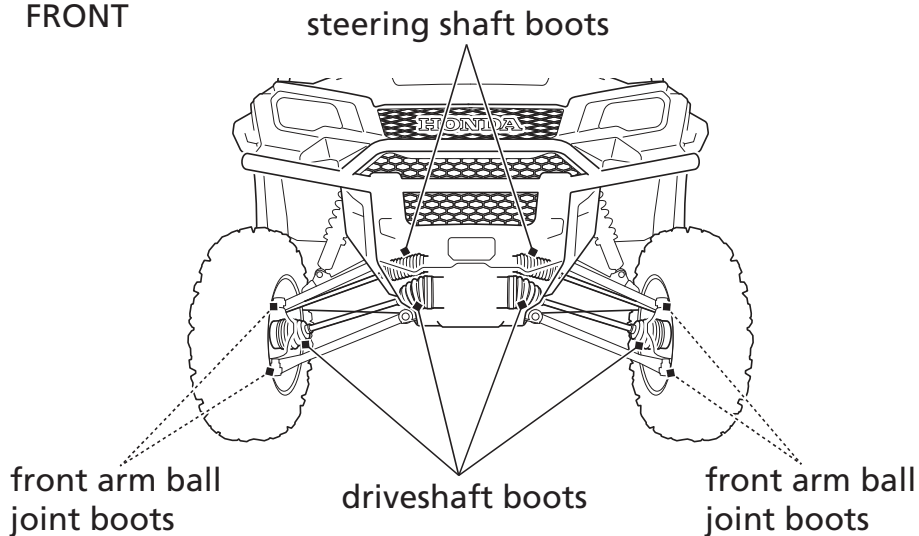


Driveshaft Boots

Refer to *Safety Precautions* on page 111.

Check the rubber boots for tears or traces of splattered grease. If necessary, have your dealer replace them.

FRONT



REAR

