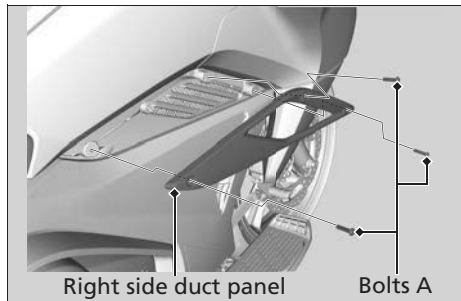


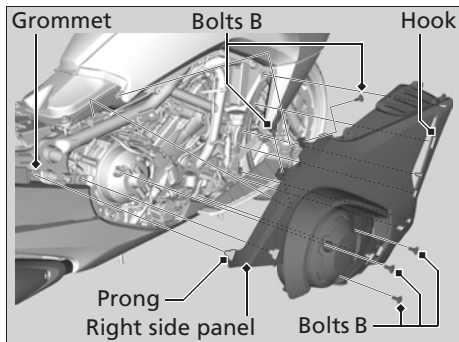
Side Panel

Removal

Right side



1. Remove the bolts A.
2. Remove the right side duct panel.



3. Remove the bolts B.
4. Remove the prongs from the grommets.
5. Remove the hooks.
6. Remove the right side panel.