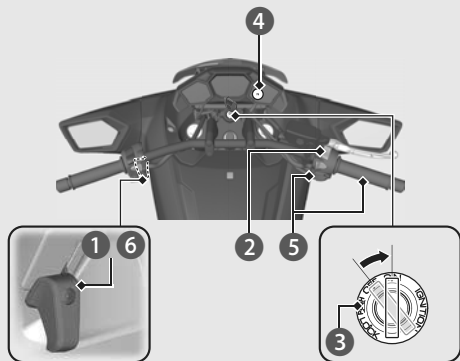


Starting the Engine

Start your engine using the following procedure, regardless of whether the engine is cold or warm.



NOTICE

- If the engine does not start within 5 seconds, turn the ignition off and wait 10 seconds before trying to start the engine again to recover battery voltage.
- Extended fast idling and revving the engine can damage the engine, and the exhaust system.
- Snapping the throttle or fast idling for more than about 5 minutes may cause exhaust pipe discoloration.

- 1 Lock the parking brake (parking brake indicator to come on).

CAUTION

Contact with the spinning rear wheel can cause you to be hurt.

Set the parking brake when the motorcycle is on its maintenance stand.