

Engine Oil & Filter

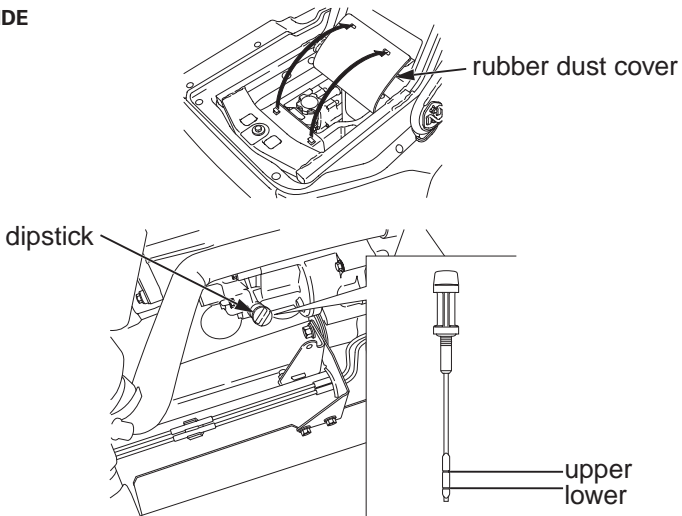
Checking & Adding Oil

Refer to *Safety Precautions* on page 79.

Check the engine oil level each day before operating your Honda MUV and add, if needed.

1. Park your Honda MUV on a firm, level surface.
2. Start the engine in a well-ventilated area and let it idle for 3—5 minutes. Stop the engine and wait 2—3 minutes.
3. Remove the seat (page 93) and rubber dust cover.
4. Remove the dipstick from the front crankcase cover and wipe it clean.
5. Insert the dipstick without screwing it in, then remove the dipstick and check the oil level. The oil level should be between the upper level mark and the lower level mark on the dipstick.

UNDER SEAT LEFT SIDE



(cont'd)