

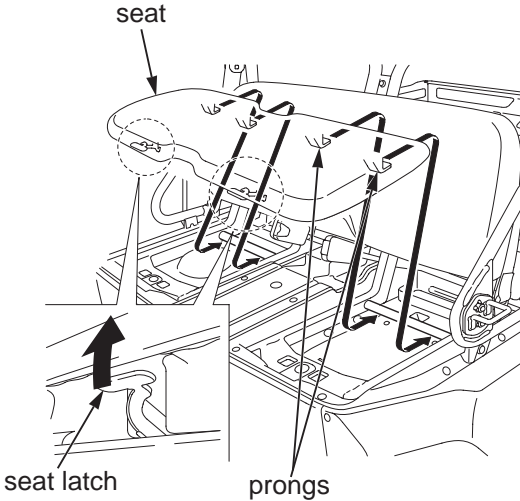
# Seat Removal

Refer to *Safety Precautions* on page 79.

The seat must be removed for spark plug maintenance, to check the engine oil level, to add engine oil, to change the engine oil filter, and to access the tool kit.

## Removal

1. Open the doors (page 30) and roll up the side nets (page 35).
2. Pull the both seat latches at the front of the seat.
3. Slide the seat slightly forward and lift it.



## Installation

1. Insert the prongs into the frame.
2. Press down on the seat until it locks.
3. Roll down the side nets (page 35) and close the doors.