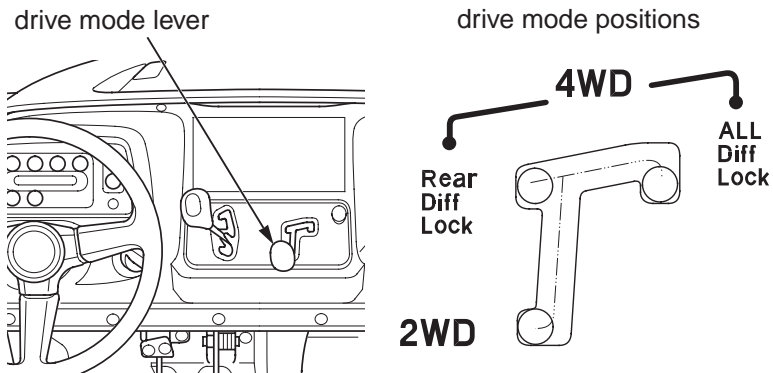


Driver Controls

Drive Mode Lever

The drive mode lever, located to the right of the shift lever, has three drive mode positions: 2WD, 4WD rear diff lock and 4WD all diff lock.



To check your present drive mode, look at the 4WD indicator and front differential lock indicator.

2WD mode:

Both indicators go off when the 2WD mode engages.

4WD Rear Diff Lock mode:

The 4WD indicator comes on when the 4WD rear diff lock mode engages.

4WD All Diff Lock mode:

The 4WD indicator and front differential lock indicator go on when the 4WD all diff lock mode engages.