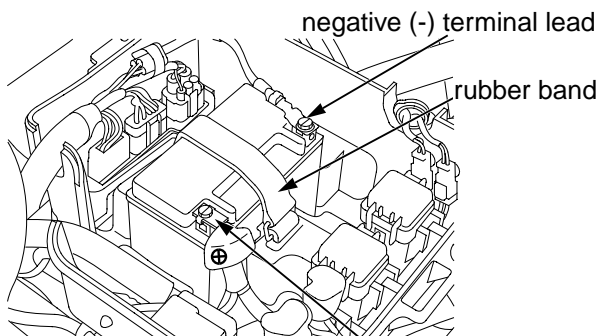
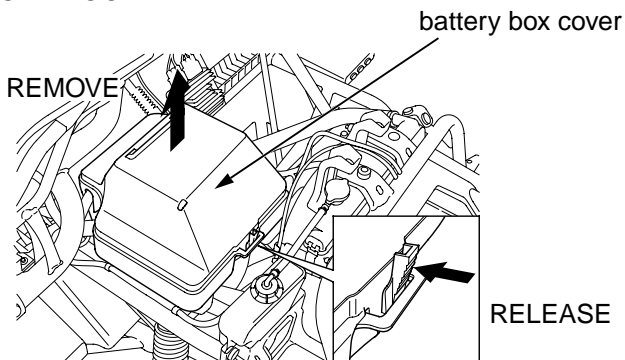


Battery

The battery is located under the front hood.

UNDER FRONT HOOD



Removal

1. Make sure the ignition switch is OFF (O).
2. Open the front hood (page 90).
3. Remove the battery box cover.
4. Release the rings and remove the rubber band.
5. Disconnect the negative (-) terminal lead from the battery first, then disconnect the positive (+) terminal lead.